



**FONDEDIL**

.....

**Raccordi acqua  
ghisa sferoidale  
imbocco**

.....

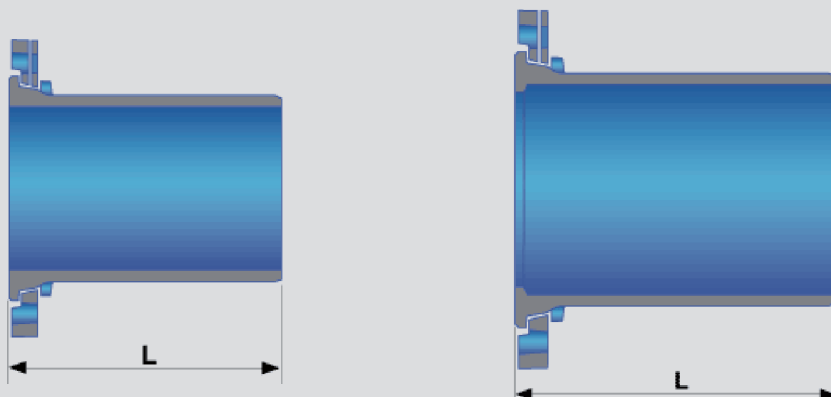
SETTORE: ACQUEDOTTO - ANTINCENDIO - IRRIGAZIONE

NORMATIVA: EN 545; ISO 2531

SISTEMI IN GHISA SFEROIDALE

**Imbocco**

**DN 60 ÷ 600**



DN mm	Flangia PN	Flangia	L mm	Massa kg
60	10-16	mobile	350	6,0
60	25-40	mobile	350	5,8
80	10-16-25-40	mobile	350	7,9
100	10-16	mobile	350	6,1
100	25-40	mobile	350	6,4
125	10-16	mobile	350	7,7
125	25-40	mobile	350	8,2
150	10-16	mobile	380	9,8
150	25-40	mobile	380	10,3
200	10	mobile	400	14,6
200	16	mobile	400	14,6
200	25	mobile	400	15,3
250	10	mobile	400	20,9
250	16	mobile	400	20,7
250	25	mobile	400	21,2
300	10	mobile	440	27,4
300	16	mobile	440	27,1
300	25	mobile	440	28,0
350	10	mobile	450	58,0
350	16	mobile	450	58,0
350	25	mobile	450	64,0
400	10	mobile	480	70,0
400	16	mobile	480	74,0
400	25	mobile	480	83,0
450	10	mobile	500	86,0
450	16	mobile	500	92,0
450	25	mobile	500	100,0
500	10	mobile	520	104,0
500	16	mobile	520	117,0
500	25	mobile	520	123,0
600	10	mobile	560	144,0
600	16	mobile	560	169,0
600	25	mobile	560	172,0

- Dimensioni e foratura flange a norma EN 1092-2; ISO 7005-2.
- Per diametri superiori consultarci.